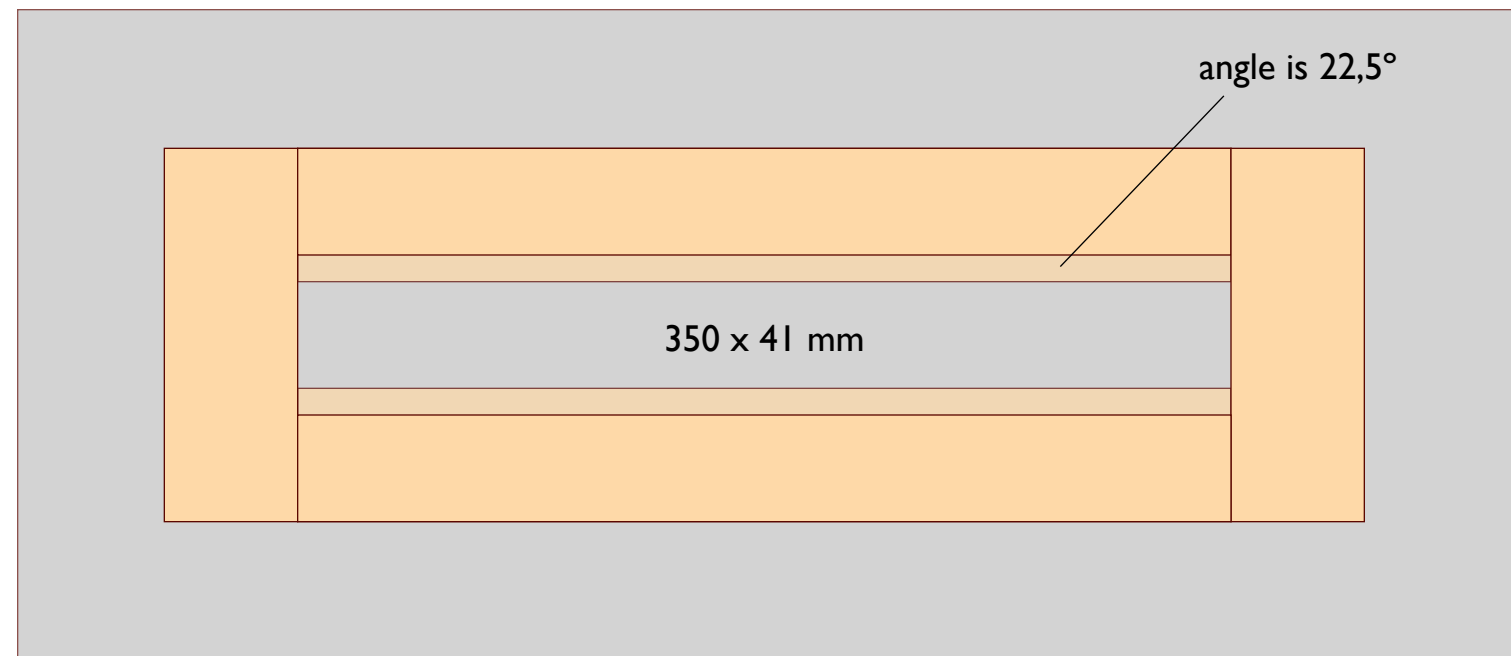
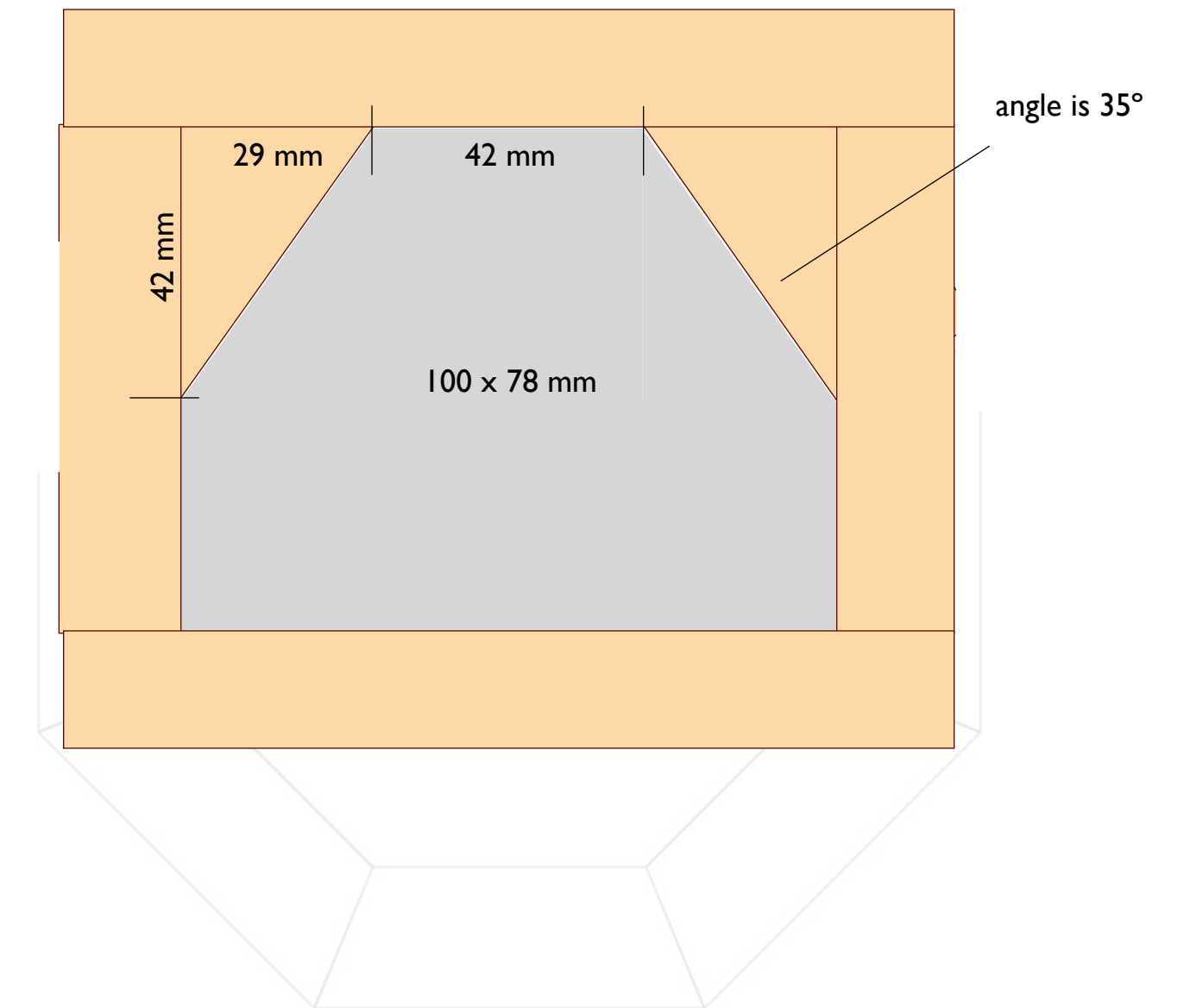


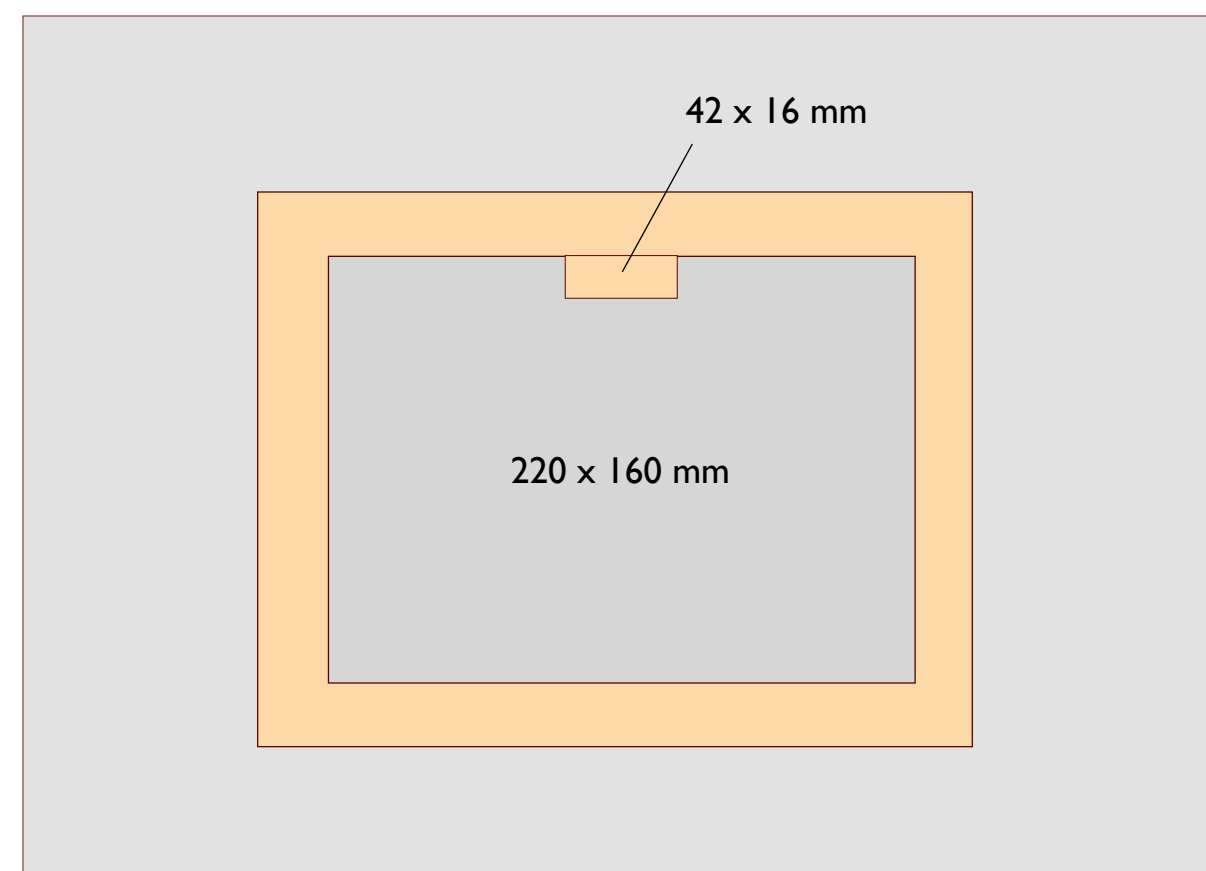
Riser bricks (insulating refractory concrete). Height of mould: 15 mm.  
 You can make a separate mould for the 330 mm bricks, or use only this mould and grind off 20 mm from 7 castings.



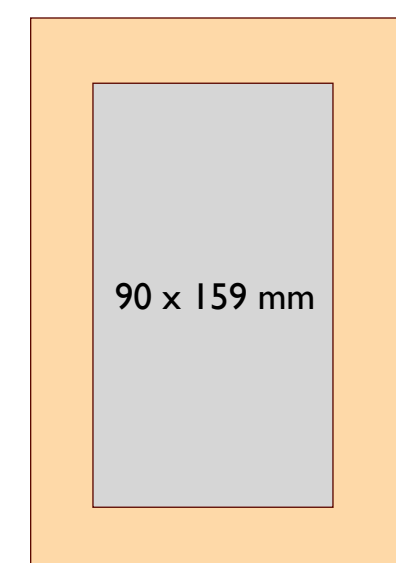
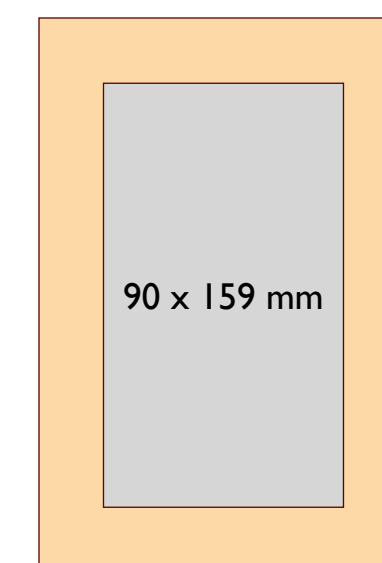
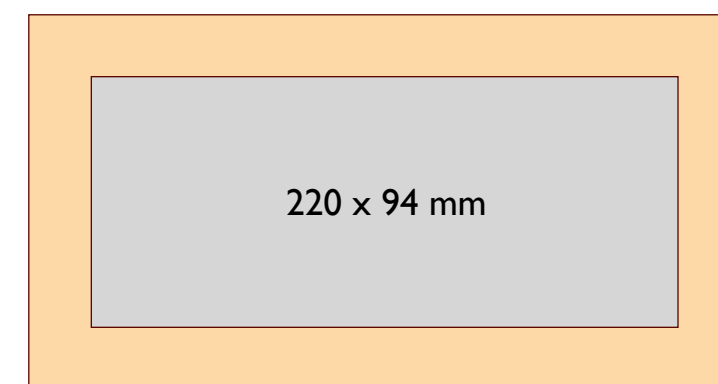
Heel (insulating refractory concrete). Height = 24 mm. After hardening, the heel is adjusted with a grinder to make it fit in the riser.



Top of firebox (solid refractory concrete). Height of moulds: 32 mm



Port (solid refractory concrete). Height of moulds: 32 mm



### 03. Refractory concrete parts, mould dimensions