

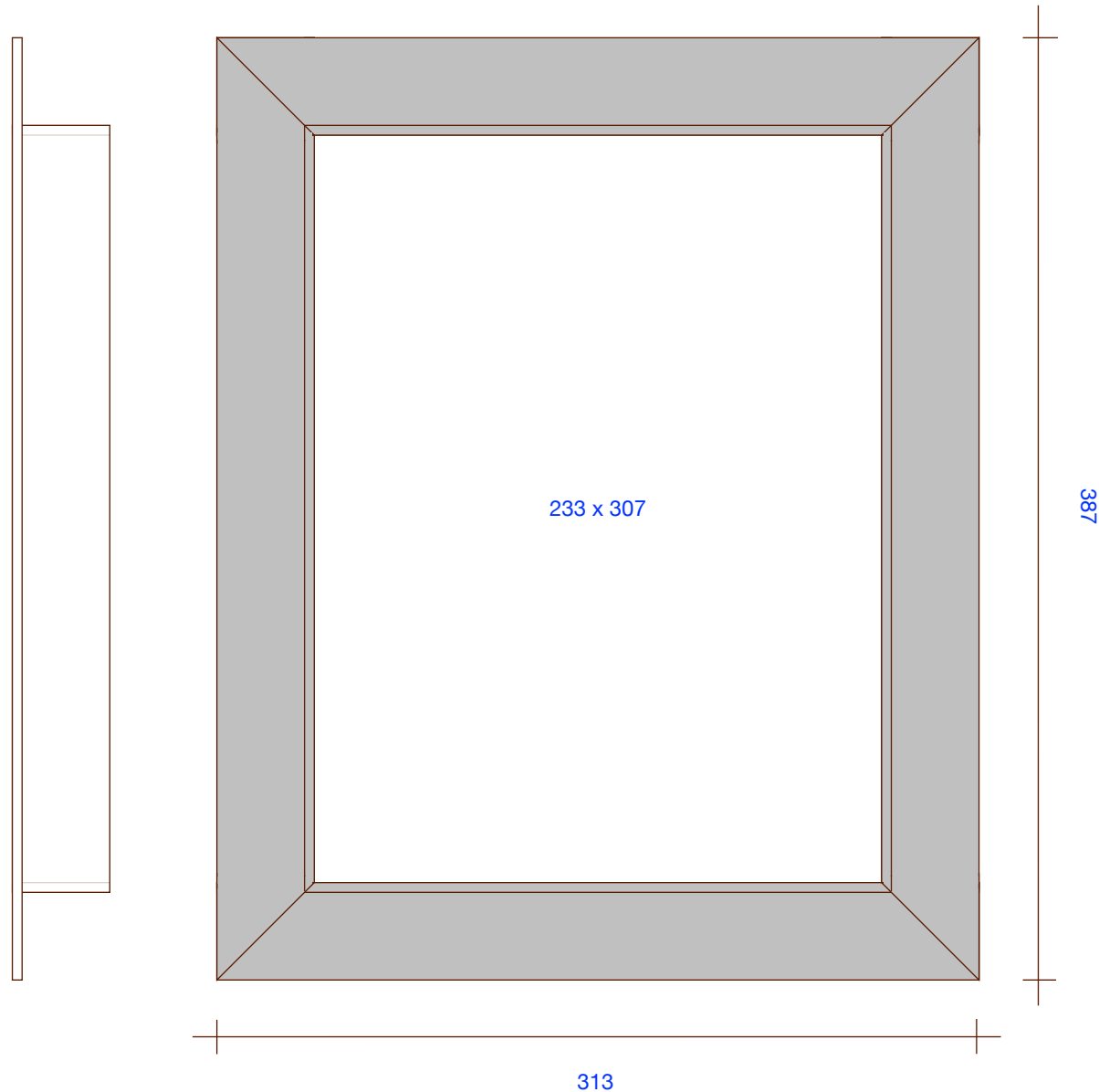
Frame

L - profile 40x40x4 mm



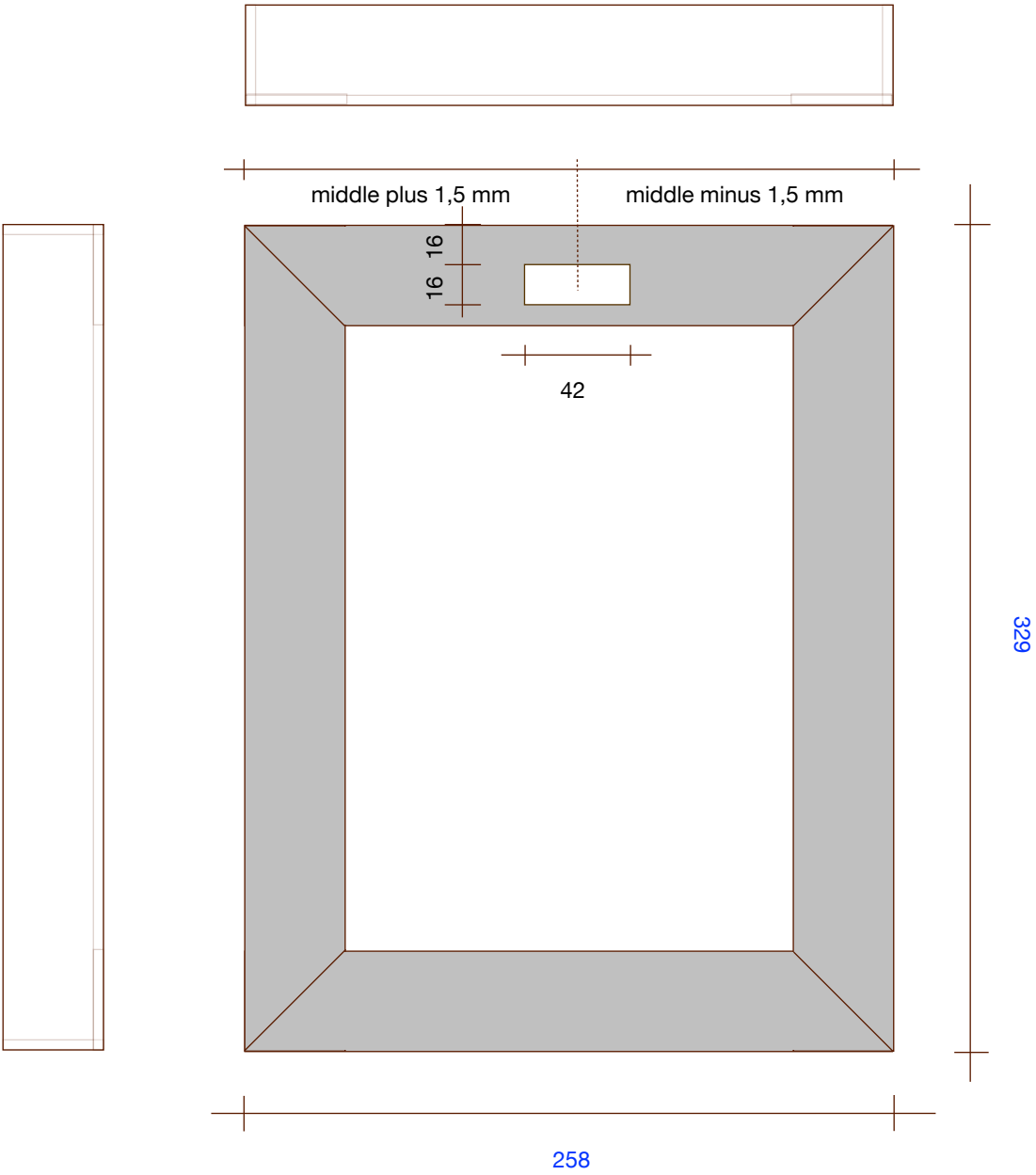
Adapt blue figures!

The worksheets for the frame and the door assume a firebox with outside dimensions of 220 mm (w) x 284 mm (h). Most likely the dimensions of your firebox will differ a bit. You then have to adapt the blue figures in these worksheets.

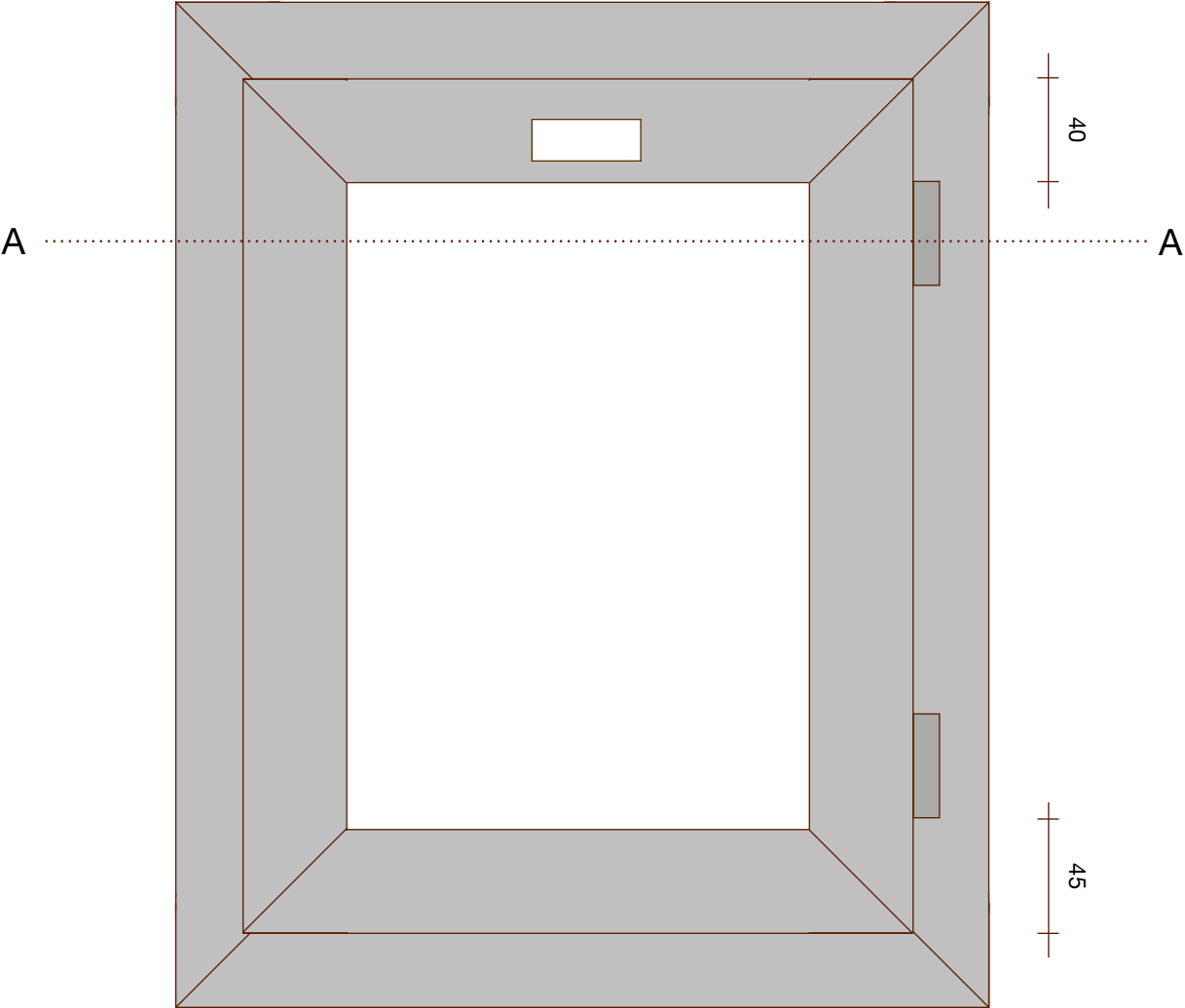


Door

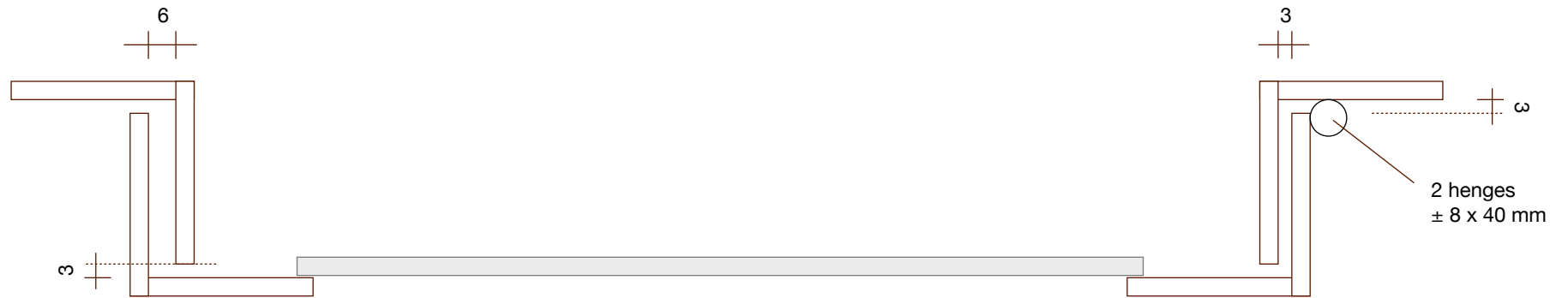
L - profile 40x40x4 mm



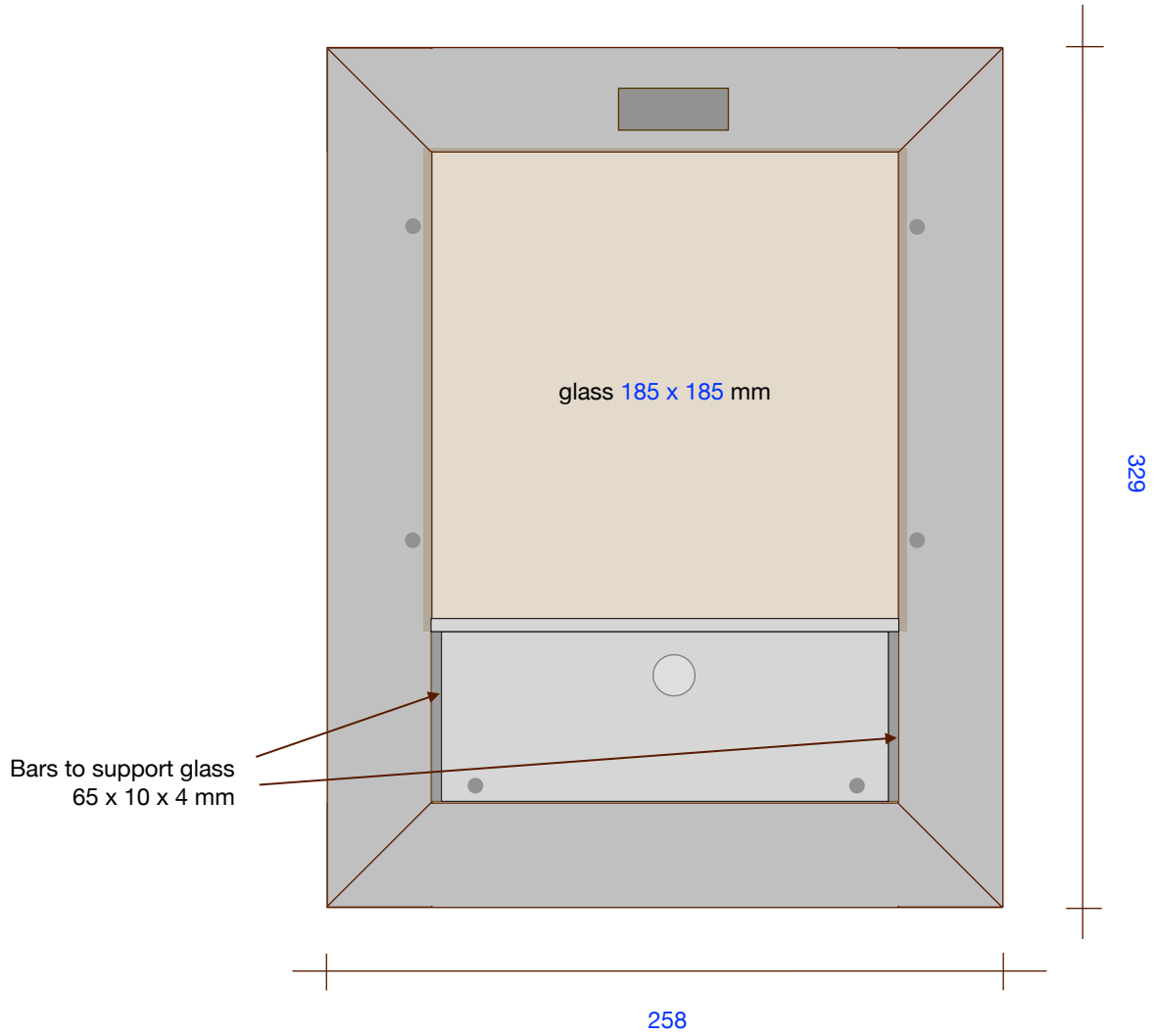
Frame, door, hinges



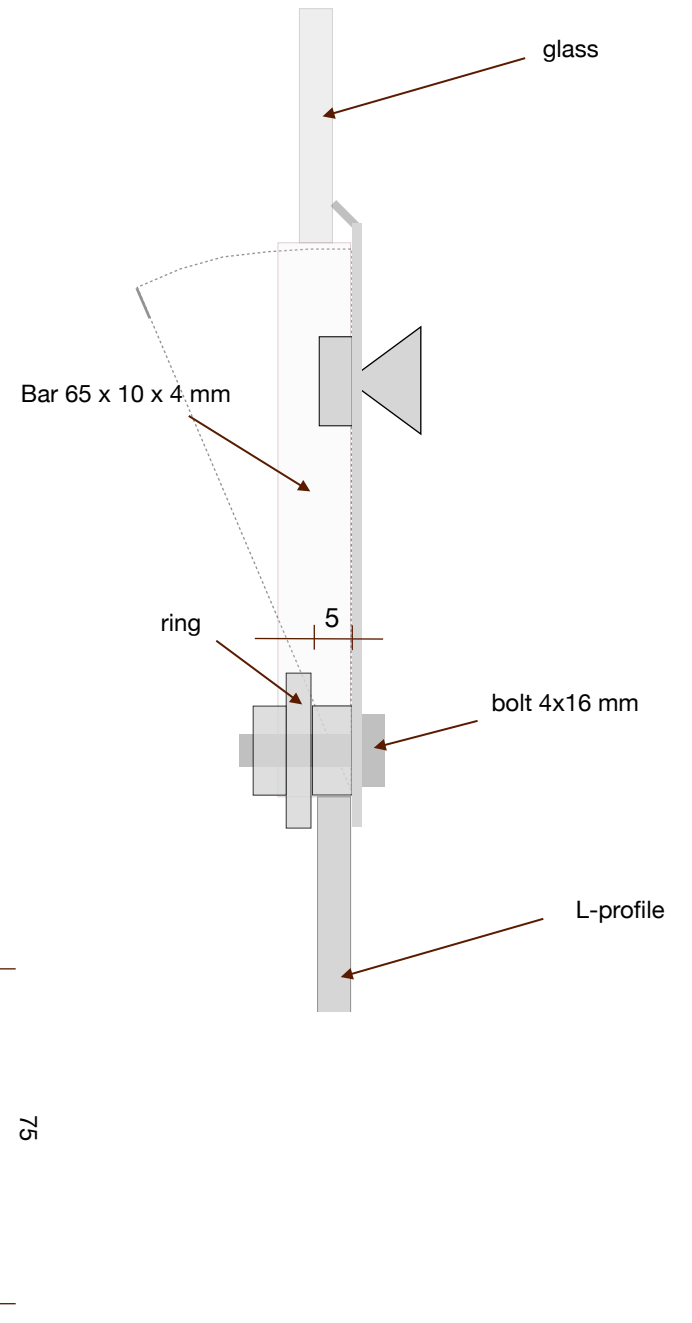
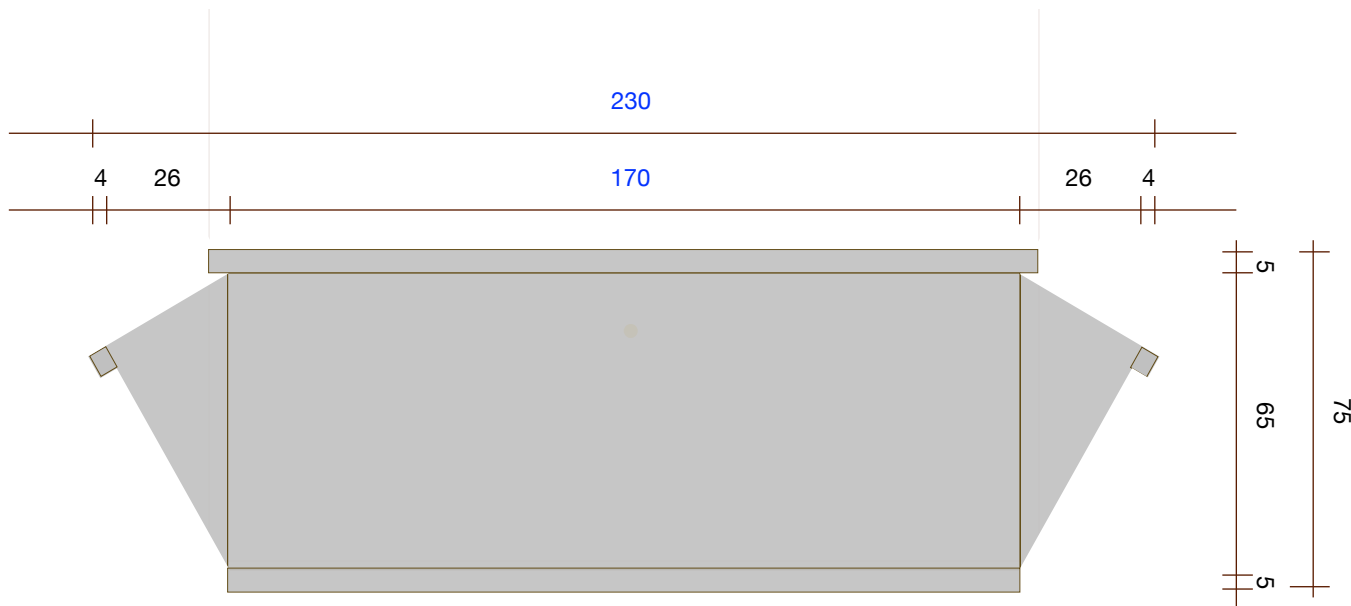
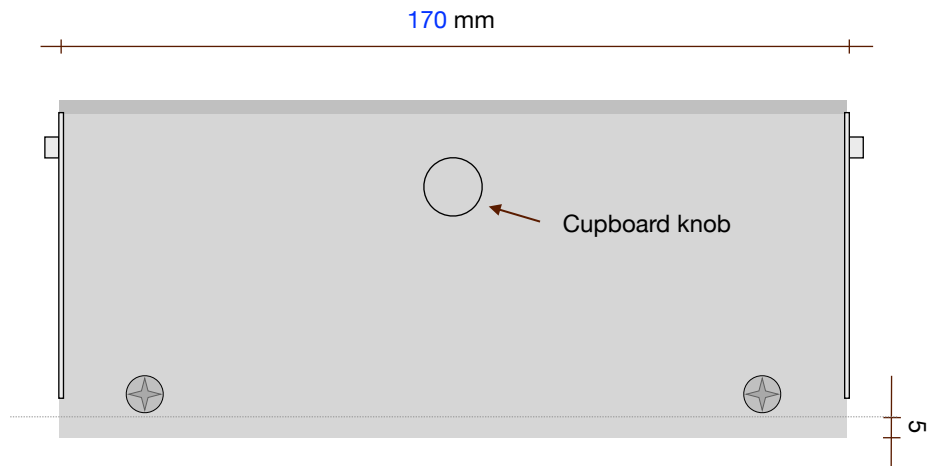
A --- A



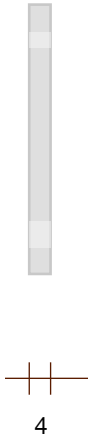
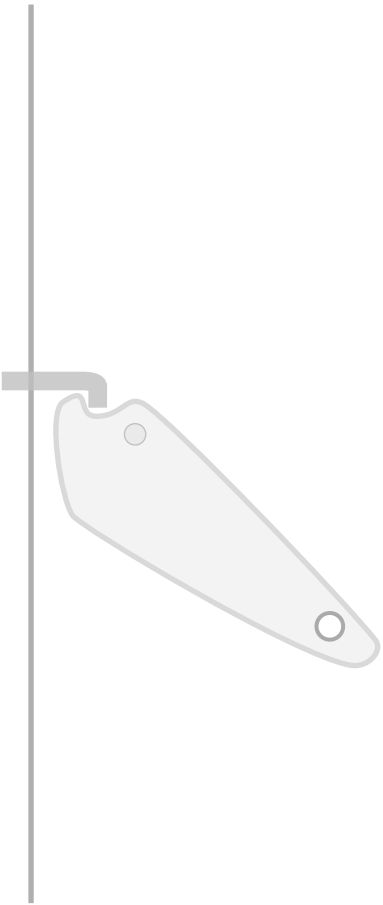
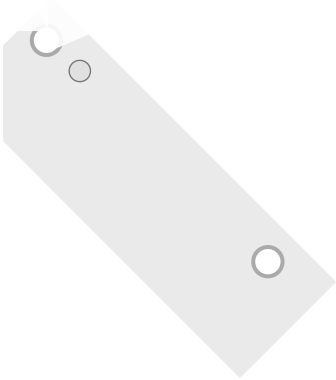
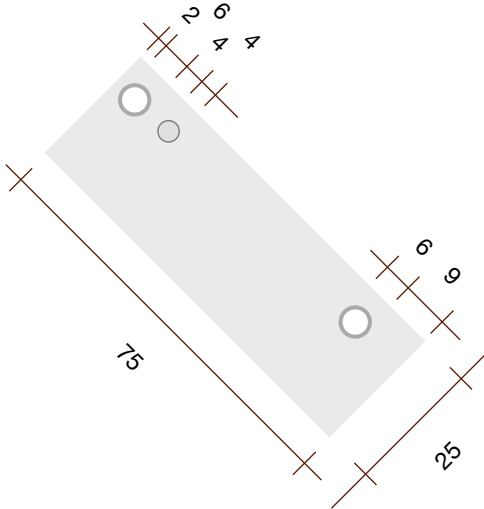
Glass, valve



Valve

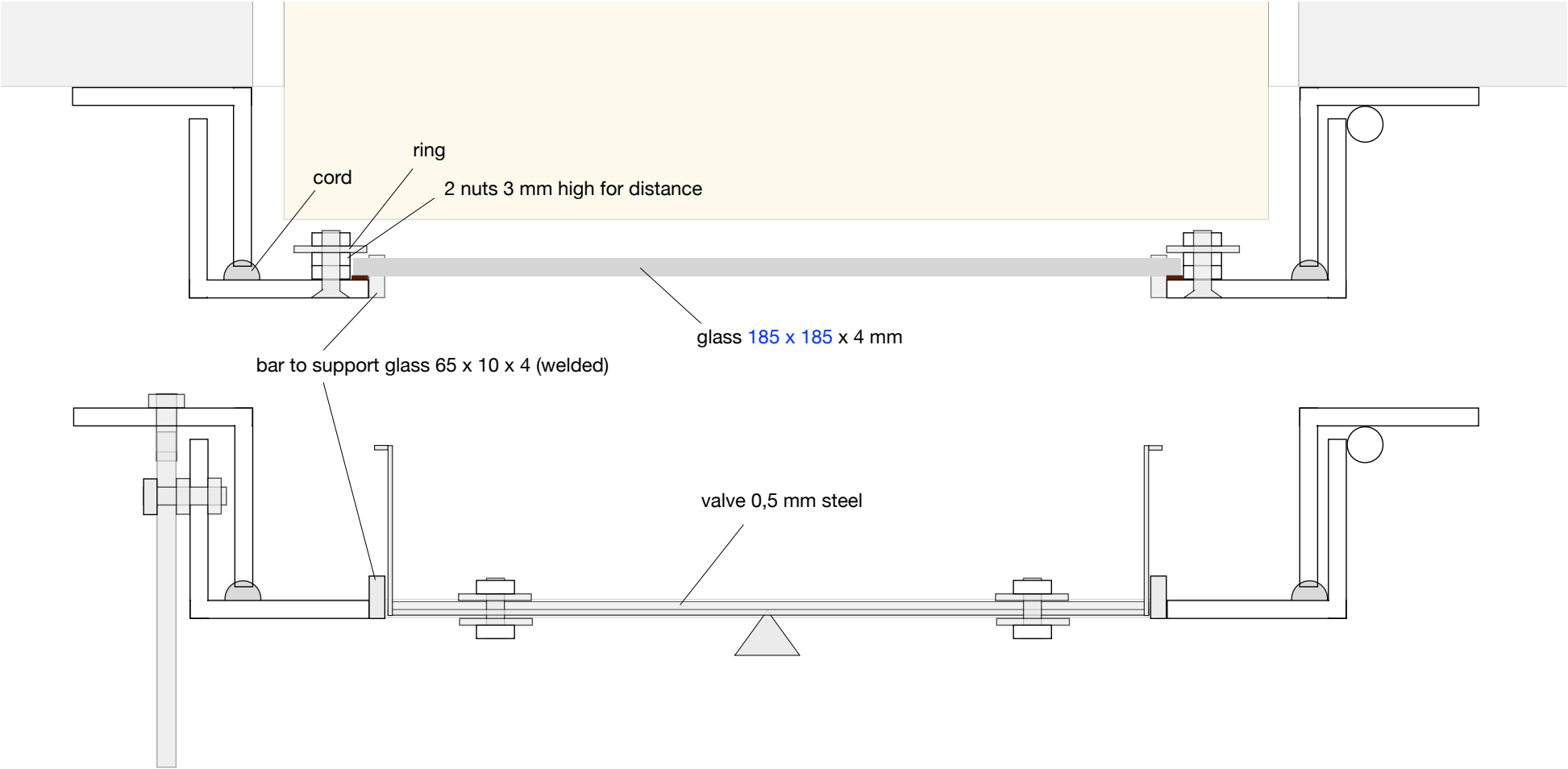


Lock



Frame & Door

seen from above



Completed unit

